

**Date:** 11/12/2020  
**Author:** Aljosa Markocic  
**SUBJECT:** Altherma 3 R: D vs. E-series updates

Dear Madam,  
 Dear Sir,

With this Rapid news we want to inform you of some of the more prominent changes to the Altherma 3 units, which occurred when the D-series was replaced with the redesigned, E-series units.

### Product series

The table below is showing which new models supersede which old models:

		Production location	Current range	New range
Outdoor	Standard	DICZ	ERGA*DAV3	ERGA*EAV3
	Low amp	DICZ	ERGA*DAV3A	ERGA*EAV3A
Indoor White	WM – standard	DDC	EHB*DA*	EHB*EA*
	FS – standard	DENV	EHV*DA*	EHV*EA*
		DDC	EHV*DJ*	EHV*EJ*
FS – bi-zone	DENV	EHVZ*DA*	EHVZ*EA*	
Indoor Grey	FS – standard	DENV	EHV*DA*G	EHV*EA*G
	FS – bi-zone	DENV	EHVZ*DA*G	EHVZ*EA*G
ECH <sub>2</sub> O		DMGG <sup>1</sup>	ECH <sub>2</sub> O <sup>2</sup>	ECH <sub>2</sub> O <sup>2</sup>

As some of you have surely noticed by now, the D-series units are already more or less out of stock and have been superseded with the E-series units.

### Unit compatibility

The following table was already part of Rapid News “Altherma 3 R Model change (ERGA-D to E series) + Indoor units improvements (STEP2)” which was sent out in April, however we feel that the topic is very important, so here’s the table again:

Outdoor unit	Indoor unit	Status
D	D(7)	OK
D	HPSU D(2)	OK
D	E	NOK
D	HPSU D(3)	NOK
E	E	OK
E	HPSU D3	OK
E	D(2)	NOK

What is obvious on first glance is the fact that there is no inter series compatibility e.g. an ERGA08DAV3 cannot be combined with an EHBX08EA9W, same goes for an ERGA06EAV3, which cannot be combined with an EHBH08DA6V. In short, DA and EA do not mix.

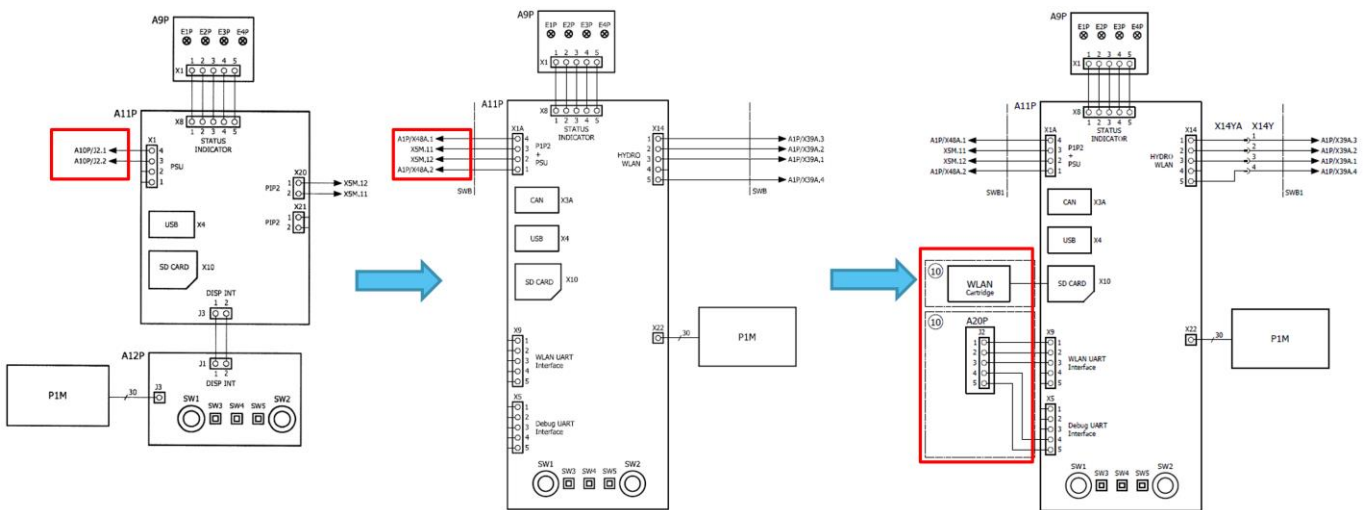


### MMI changes

The new MMI version was introduced already together with the DA/DJ series refresh i.e. the DA7/DJ7 units. The table below sums up the changes:

	DA/DJ	DA7/DJ7	EA/EJ
<b>MMI revision</b>	MMI 1	MMI 2	MMI 2
<b>MMI software version</b>	1.x.x	6.x.x	6.x.x
<b>MMI power PCB</b>	Yes	No	No
<b>MMI SW update method</b>	USB + SD card	USB	USB
<b>WLAN ready</b>	No	No	Yes

A more graphical interpretation is available below (also enclosed as a png file):

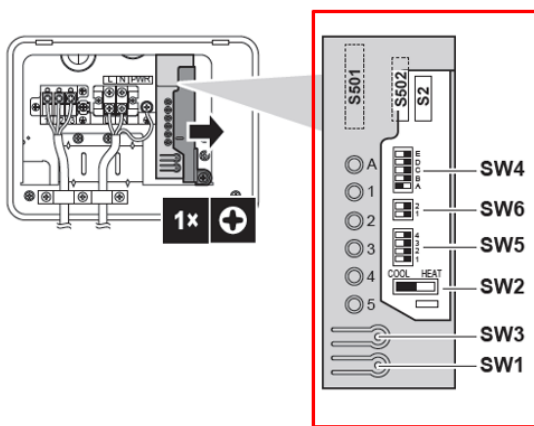


**Hardware changes: Service PCB**

You will no longer find a service PCB on the outdoor unit, instead its main function is now integrated in the MMI menu structure:

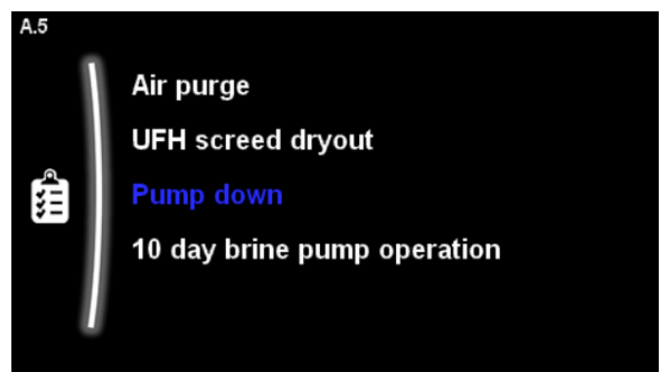
	DA/DJ	DA7/DJ7	EA/EJ
<b>Service PCB</b>	Yes	Yes	No
<b>Pump down method</b>	<i>Forced cooling on service PCB</i>	<i>Forced cooling on service PCB</i>	Found in MMI menu structure

DA/DJ & DA7/DJ7



Service PCB

EA/EJ

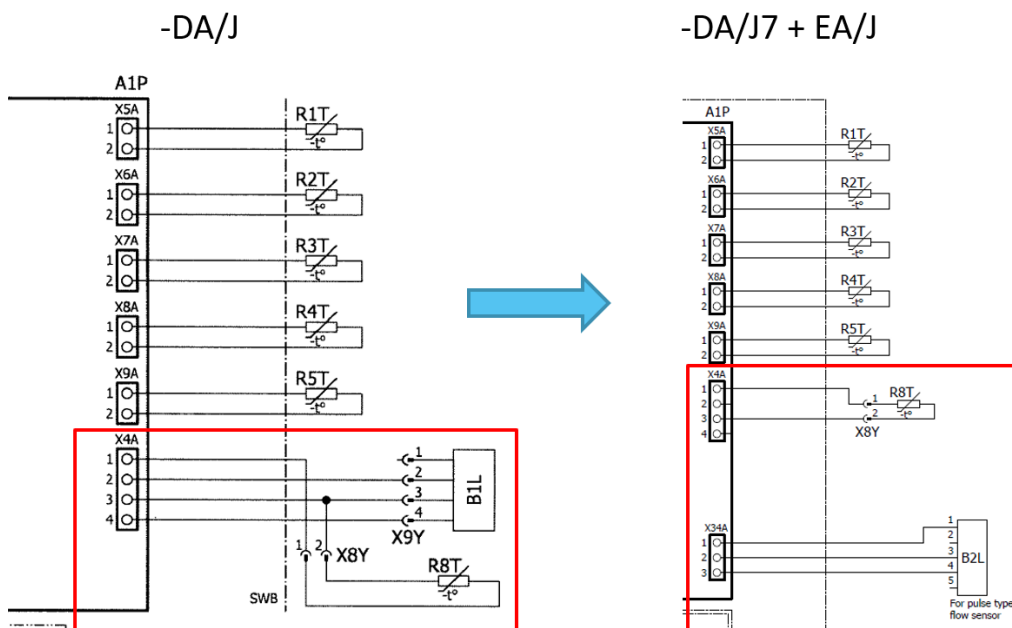


**Hardware changes: Flow sensor**

The flow sensor no longer uses a VDC output signal, but frequency output:

	DA/DJ	DA7/DJ7	EA/EJ
Flow sensor signal	VDC output	Frequency output	Frequency output

The flow sensor itself hasn't changed, what's different is the wire harness and the PCB connectors to accommodate the new signal type (also enclosed as a png file).



**MMI settings export**

With the introduction of MMI2 (SW 6.x.x) setting export is now possible. This is especially useful for diagnostic purposes, as the settings can now be easily exported to a USB stick for later examination and record keeping.

	DA/DJ	DA7/DJ7	EA/EJ
MMI setting export	Not possible	Possible	Possible



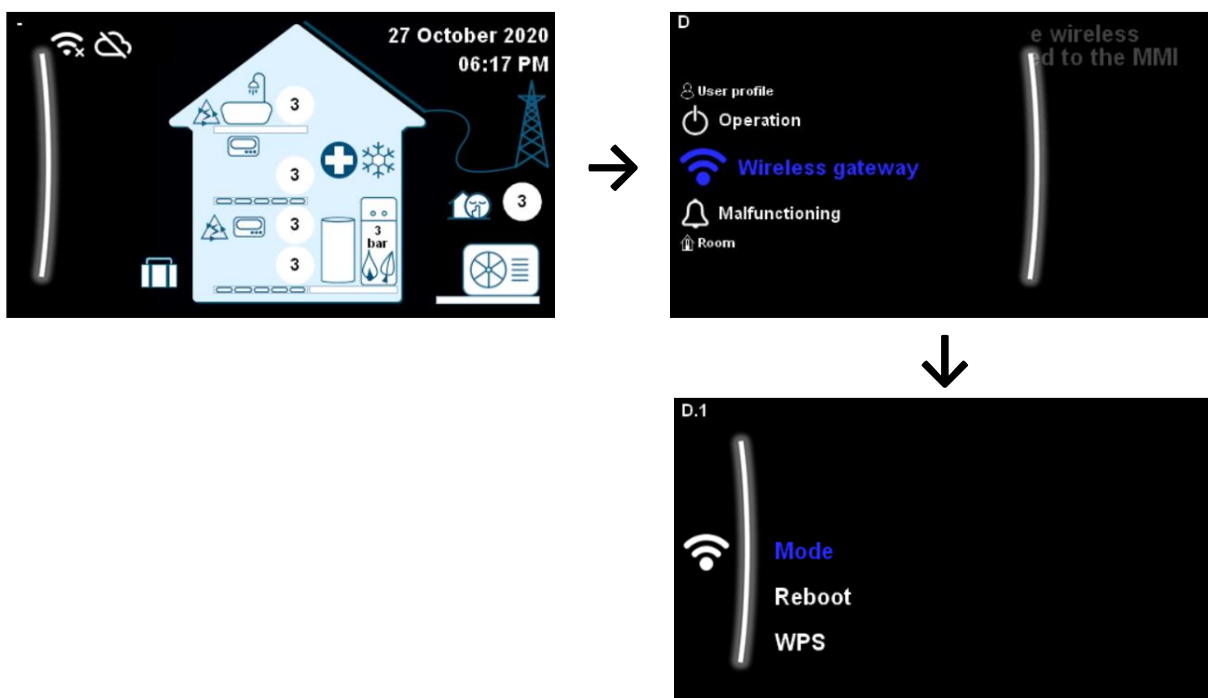
**WLAN readiness**

MMI2 also brings WLAN readiness. Similar to RA units, units from the Altherma 3 R family will now be able to connect to the ethernet wirelessly – this way, running additional cables to the technical room can be avoided. Of course, care should be taken so that the Wi-Fi signal in the technical room is on a sufficient level.

	DA/DJ	DA7/DJ7	EA/EJ
<b>WLAN ready?</b>	No	Possible	Yes

Units from the DA/DJ series are not WLAN ready, while units from the revised DA7/DJ7 are. However, the WLAN adapter is only included in the box for the EA/EJ units.

All WLAN adapter functions are integrated into the MMI menus.



A table of module compatibility can be found below:

	DA/DJ	DA7/DJ7	EA/EJ
<b>WLAN adapter BRP069A71</b>	No	Yes	Yes <sup>(1)</sup>
<b>WLAN cartridge BRP069A78</b>	No	No	Yes

(1) The WLAN adapter is technically compatible with the EA/EJ series, but not the right choice, since the PCB has a slot for the WLAN cartridge and the WLAN cartridge is anyway part of the standard included accessories.

Information herewith provided is subject to change without notice.

