



Rapid news number: RNPI 19-011– Product Info – VRV – Launch of VRV IV+ heat recovery

Date: 29-March-19

From: EU Strategic Marketing

Pages: 2

FCD-0951 rev. 3

Dear Madam / Sir,

We would like to inform you that, following the Heat Pump ranges, our VRV IV Heat Recovery ranges, will be also upgraded in order to improve seasonal efficiency values according to ENERLot21 ( $\eta_{s,c}$  &  $\eta_{s,h}$ ). The new range will be called VRV IV<sup>+</sup> H/R and the seasonal efficiency according to Lot21, is estimated to increase on average by more than 10% vs. the current range or by means of  $\eta_{s,c}$ , by more than 23 percentage points on average.

The main points to be upgraded are:

- ✓ Software
- ✓ Compressor
- ✓ Capillaries

The **products in scope** of this upgrade, are:

- ✓ Heat Pump Heat Recovery (REYQ\_T)

The **new VRV models** will be:

Range	Current line up		New	
	Product Name	Material Name	Product Name	Material Name
H/R	REYQ8T7Y1B	REYQ8T	REYQ8 <b>U</b> 7Y1B	REYQ8 <b>U</b>
	REYQ10T7Y1B	REYQ10T	REYQ10 <b>U</b> 7Y1B	REYQ10 <b>U</b>
	REYQ12T7Y1B	REYQ12T	REYQ12 <b>U</b> 7Y1B	REYQ12 <b>U</b>
	REYQ14T7Y1B	REYQ14T	REYQ14 <b>U</b> 7Y1B	REYQ14 <b>U</b>
	REYQ16T7Y1B	REYQ16T	REYQ16 <b>U</b> 7Y1B	REYQ16 <b>U</b>
	REYQ18T7Y1B	REYQ18T	REYQ18 <b>U</b> 7Y1B	REYQ18 <b>U</b>
	REYQ20T7Y1B	REYQ20T	REYQ20 <b>U</b> 7Y1B	REYQ20 <b>U</b>
	REMQ5T7Y1B	REMQ5T	REMQ5 <b>U</b> 7Y1B	REMQ5 <b>U</b>

Sales launch of the new units is scheduled for May 2019. The units will be released for sales, only when the stock of the current models has been phased-out.



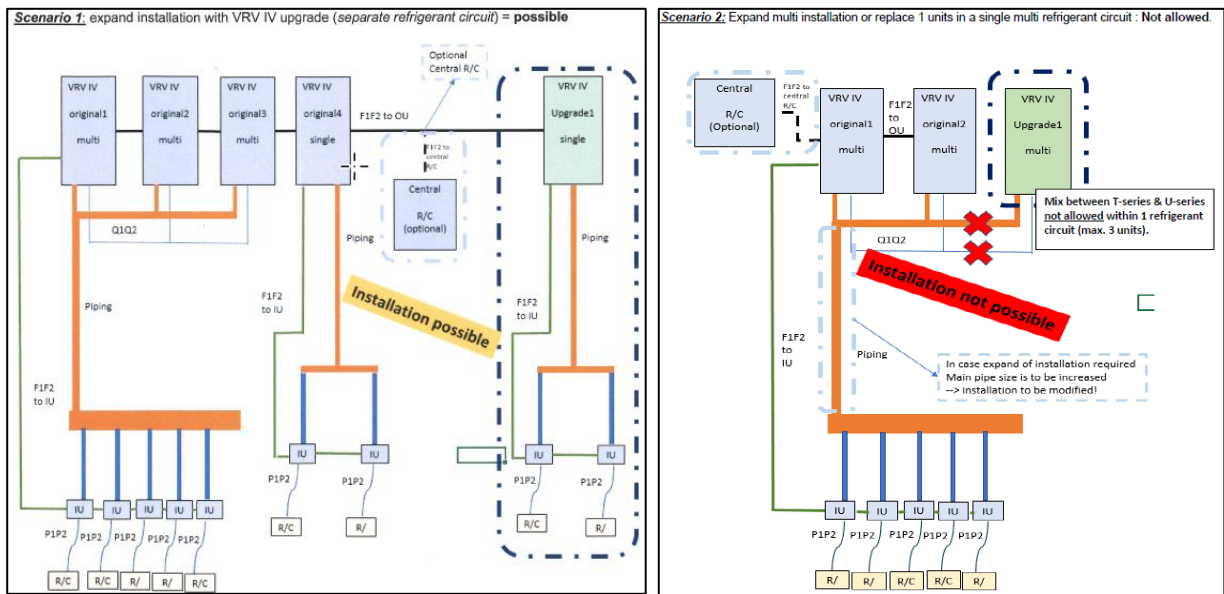
Rapid news number: RNPI 19-011– Product Info – VRV – Launch of VRV IV+ heat recovery

Date: 29-March-19

From: EU Strategic Marketing

Pages: 2

**Attention:** There is no compatibility between T-series & U-series inside a multi refrigerant circuit. As such, please inform Supply in detail what and how many T-series units you will be needing for expanding existing systems.



**Notes:**

Nominal heating efficiency (COP) according to Eurovent certification, will also be provided exceptionally for the markets that have not yet adopted or integrated to National legislation and schemes, seasonal efficiency.

In case you have any questions or remarks on this matter, do not hesitate to raise a ticket via the Daikin Europe Marketing Support desk at <http://marketing.daikineurope.com>.

Sincerely yours,

João Teixeira