



Rapid news number: RNPI21-062
Product Info – Applied – DWSC DWDC C Series
Date: 08/07/2021
Pages: 8

Subject:

Information on the new centrifugal compressor water cooled chiller
DWSC C Series – Phase 2

Dear Madam
Dear Sir,

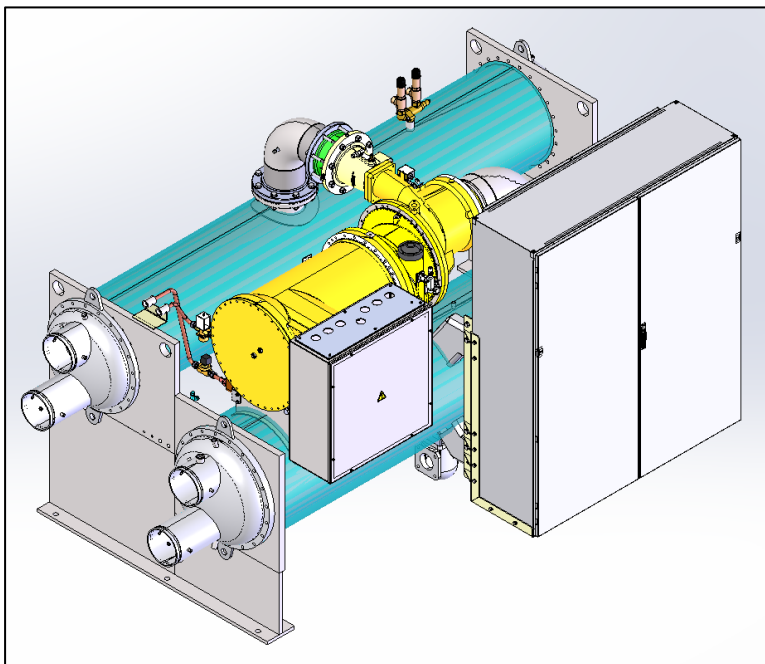
We are pleased to anticipate you some information about the new centrifugal compressor water cooled chiller DWSC C Series – Phase 2, concerning following items.

1. Examples of unit layout
2. Product characteristics (Phase 1&2)
3. Additional Options available with DWSC C Phase2
4. Nomenclature
5. Price List and Order Form for DWSC C Series (Phase 2)
6. Launch schedule of DWSC C Series (Phase2)
7. DWSC & DWDC C Series updated product development

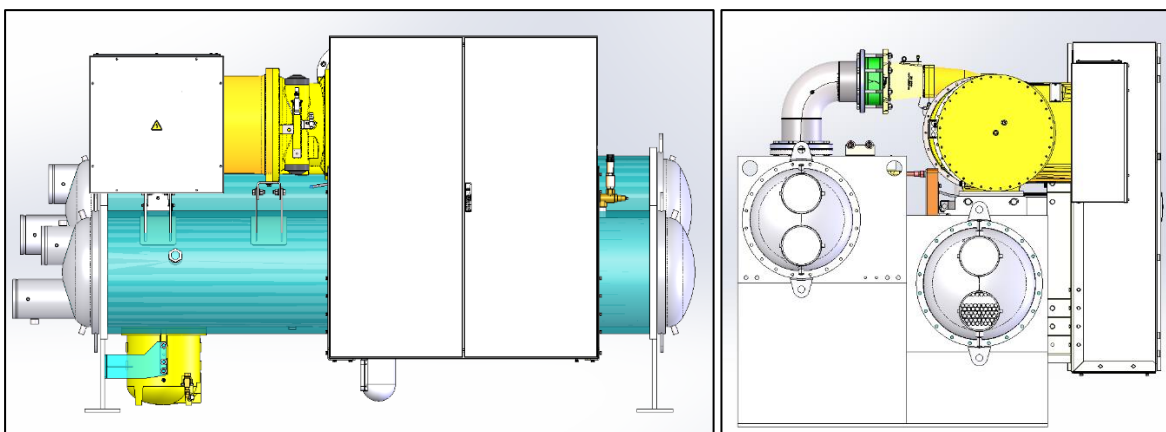


Examples of unit layout

Engineering drawing sketch for DWSC087M model with Unit Mounted **Daikin VFD (standard THD)**



Top view



Frontal and side view

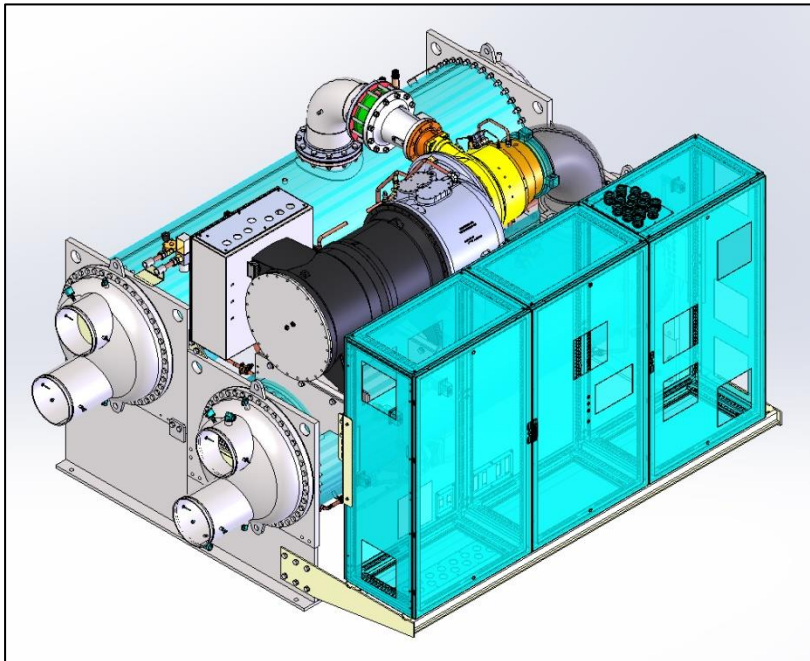
Specifications are subject to change without notice

DAIKIN EUROPE N.V. - Zandvoordestraat 300 - 8400 Oostende

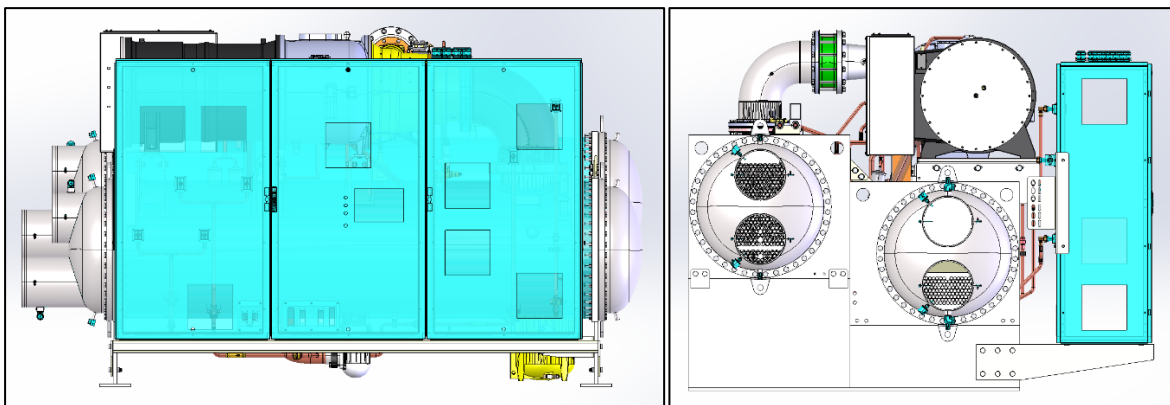
Tel. +32 59 55 81 11 - Fax +32 59 55 82 38



Engineering drawing sketch for DWSC100M model with Unit Mounted **Daikin VFD with Active Harmonic Filter**



Top view



Frontal and side view

Specifications are subject to change without notice

DAIKIN EUROPE N.V. - Zandvoordestraat 300 - 8400 Oostende

Tel. +32 59 55 81 11 - Fax +32 59 55 82 38



Product characteristics (Phase 1&2)

- Cooling capacity range (see below table);

		DWSC C Series (Phase 1&2)		
Cooling Capacity	Min	kW	1050 (300RT)	790 (225RT)
	Max	kW	4500 (1250RT)	3375 (960RT)
Compressor Type		Single Stage Centrifugal		
Refrigerant Type		R-134a; R-513A		R-1234ze

- Daikin Single Stage centrifugal compressor (traditional US design – Impeller sizes: 079L – 087M - 100M - 113M - 126M);
- Enhanced selection flexibility with Heat Exchangers designed by DAE, for offering a real tailor-made job-based chiller. 1" or ¾" tubes diameter availability for heat exchanger selection;
- New control Software based on Siemens platform with the Microtech 4 controller introduction;
- Refrigerant availability. DWSC C Series (Phase 1&2) offers a choice of three different refrigerants – R-134a, R-513A and R-1234ze – and all machines require less refrigerant than its predecessor series. (R-515B will be available from next phase)
- Positive Pressure Design. Positive pressure systems offer numerous advantages over negative pressure design. In a negative pressure system, leaks allow air, moisture, and other contaminants to seep into the system, which will gradually decrease performance, as well as cause corrosion which must be removed. The Daikin positive pressure design eliminates this worry, providing sustainable performance and trouble-free ownership for the life of the unit under normal operation
- Single electrical connection point thanks to the new Daikin Applied Europe design of the Unit Mounted Electrical Panels, meaning internal design and manufacturing to create the optimal balance between cost and performance;

Specifications are subject to change without notice

DAIKIN EUROPE N.V. - Zandvoordestraat 300 - 8400 Oostende

Tel. +32 59 55 81 11 - Fax +32 59 55 82 38



- New Electrical Panel layouts designed by Daikin Applied Europe, available in the following configurations (always including the control section, means compressor and unit controls and transformer for auxiliary circuits):
 1. Daikin VFD (standard THD);
 2. Daikin VFD with harmonic filter;
 3. Soft Starter;
 4. Only auxiliaries. (Starter by others);
- New CSS Centrifugal chillers selection software design by DAE;
- 50Hz and 60Hz power supply models AHRI certified;
- Extensive list of options and accessories (see next paragraph).

Additional Options available with DWSC C Phase2

The following table in mentioning the options available with DWSC C Phase2 in addition to the ones already available in Centrifugal Chiller Selection Software.

Mechanical		Type
217	WATER COOLED OIL COOLING	UM

Heat Exchangers		Type
199	EVAPORATOR WATER SIDE DESIGN PRESSURE (21 BAR)	UM
200	CONDENSER WATER SIDE DESIGN PRESSURE (21 BAR)	UM
209	EVAPORATOR HINGES ON BOTH ENDS	UM
210	CONDENSER HINGES ON BOTH ENDS	UM
211	EVAPORATOR SACRIFICIAL ANODES	UM
212	CONDENSER SACRIFICIAL ANODES	UM
213	EVAPORATOR CERAMIC COATING (WATER SIDE)	UM
214	CONDENSER CERAMIC COATING (WATER SIDE)	UM
215	EVAPORATOR EPOXY COATING (WATER SIDE)	UM
216	CONDENSER EPOXY COATING (WATER SIDE)	UM
217	WATER COOLED OIL COOLING	UM

Other		Type
75	RUBBER ANTI VIBRATION MOUNTS	SL
77	SPRING ANTI VIBRATION MOUNTS	SL

UM = Unit Mounted

SL = Shipped Loose

Specifications are subject to change without notice

DAIKIN EUROPE N.V. - Zandvoordestraat 300 - 8400 Oostende

Tel. +32 59 55 81 11 - Fax +32 59 55 82 38



Nomenclature

DWSC C Series Phase 2 will be included in the CSS WEB Centrifugal Chiller Selection Software, in addition to the DWSC C Phase1 currently available.

Regarding nomenclature, please refer to previous Rapid News RNPI21-019 already released last 02 March 2021.

Price List and Order Form for DWSC C Series (Phase 2)

Price List for DWSC C Series (Phase 2) basic models and on request options will be included in Centrifugal Chiller Selection Software in addition to the currently available for DWSC C Series (Phase1).

A dedicated excel file “Order Form for Centrifugal Chiller DWSC C Series - 2021 Rev.01” will be sent from DAE Marketing Dept. to affiliates in order to print the **Order Form for DWSC C Series (Phase2)**, in addition to the DWSC C Series (Phase1).

In case of order to DAE Cecchina factory, DENV Affiliates will send an e-mail to MTO Customer Service Dept. (neworders_mto@daikinapplied.eu) with attached DWSC C unit datasheet (including chiller performance and on request options selection with related Price List, downloaded from Centrifugal Chiller Selection Software.

Transfer Price agreed with Area Manager will be calculated in the **Order Form Excel Sheet**.

Special options. The feasibility analysis of the Special options will be analysed and confirmed with a SPN code released by Marketing Dept. Centrifugal chiller product team.



Launch schedule of DWSC C Series (Phase2)

In the next weeks you will receive separated communication with information on this product which will complete the product launch, in accordance to the below table.

Databook	week29
Brochure	week29
Centrifugal CSS (Step3-Rating)	week30
List Price in Centrifugal CSS	week30
Order Form (excel file)	week30
First Order Entry	week30

Note:

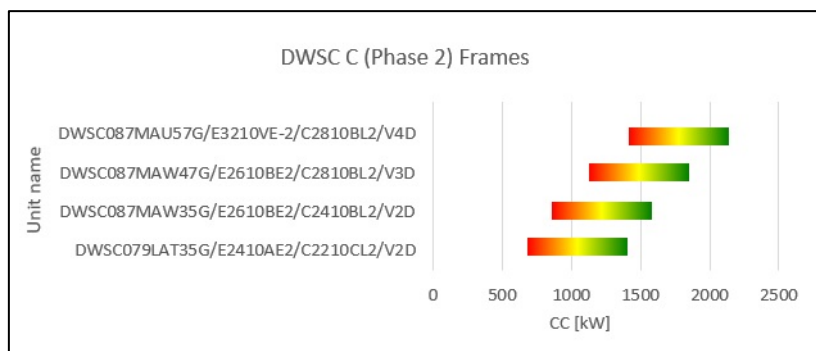
- Delivery time ExWorks for DWSC C (Phase2)

Delivery time ExWorks for DWSC C (Phase2) will be 19 weeks by Order Entry date and gradually reducing to 15 weeks from week 34.

- Centrifugal CSS availability

DWSC C (Phase2) will be available to be selected in “**Step3-Rating**” of the Centrifugal CSS by week30. “**Step2-Selection**” will be enabled from week34.

See below capacity bar chart for the user to have a reference on the impeller size to be selected in “**Step3-Rating**” of the Centrifugal CSS, in accordance to the duty capacity required.



- Centrifugal Chiller training on DWSC C (Phase 2)

Dedicated training session on DWSC C (Phase 2) will be planned on next September 2021. Further centrifugal chiller training sessions will be planned all along the FY21.

Specifications are subject to change without notice

DAIKIN EUROPE N.V. - Zandvoordestraat 300 - 8400 Oostende

Tel. +32 59 55 81 11 - Fax +32 59 55 82 38



DWSC & DWDC C Series updated product development

Please find below the updated schedule for the new centrifugal compressor water cooled chiller DWSC and DWDC C Series.

		phase1	phase2	phase3	phase4	phase5
Item		Q1-FY21 (April)	Q2-FY21 (July)	Q3-FY21 (October)	Q4-FY21 (January)	Q1-FY22 (April)
Compr.*	DWSC 100M 113M 126M	★				
	DWSC 079L 087M		★			
	DWDC 079L 087M 100M 113M 126M					★
Refrigerant	R-134a	★				
	R-513A		★			
	R-1234ze w VFD		★			
	R-1234ze w/o VFD			★		
	R-515B				★	
El. Panel	Daikin VFD std THD - Unit Mounted	★				
	Daikin VFD Low THD - Unit Mounted		★			
	Daikin Soft Starter - Unit Mounted		★			

*DWSC Capacity extension: To Be Planned

★ = Order Entry

Separated communication with information on the next development phases will be sent in accordance with the above table.

In case you have any questions or remarks on this matter, do not hesitate to raise a ticket via the Daikin Europe Marketing Support desk at <http://marketing.daikineurope.com>.

Yours sincerely